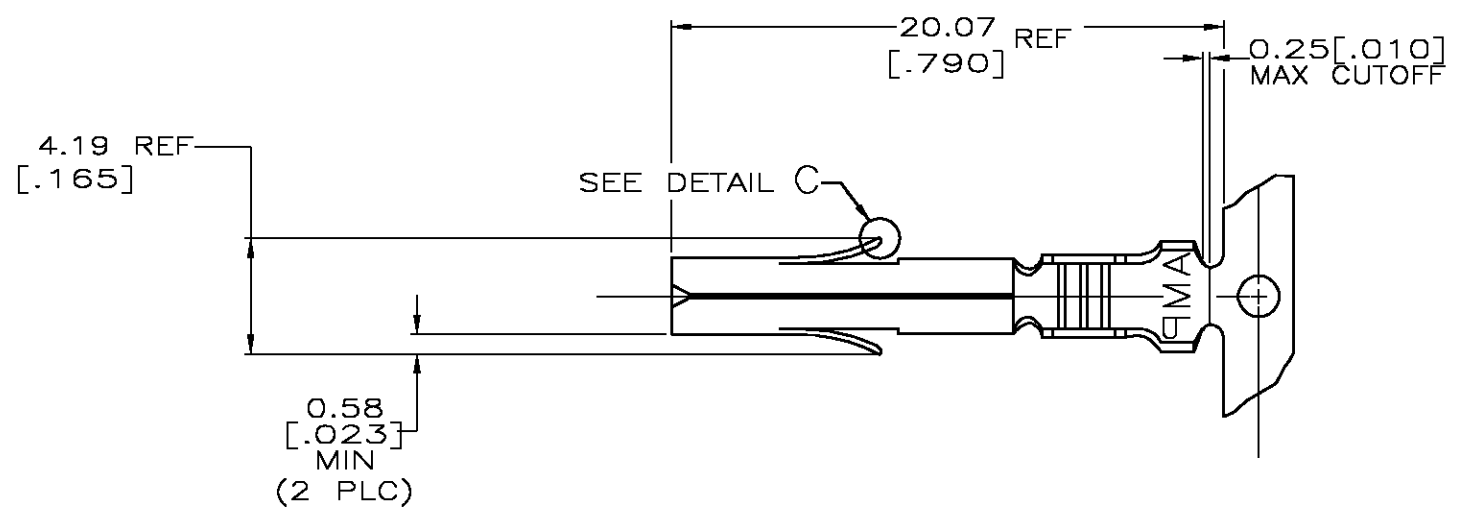
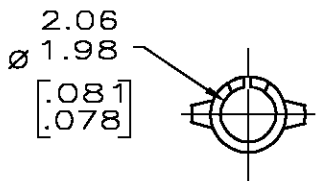
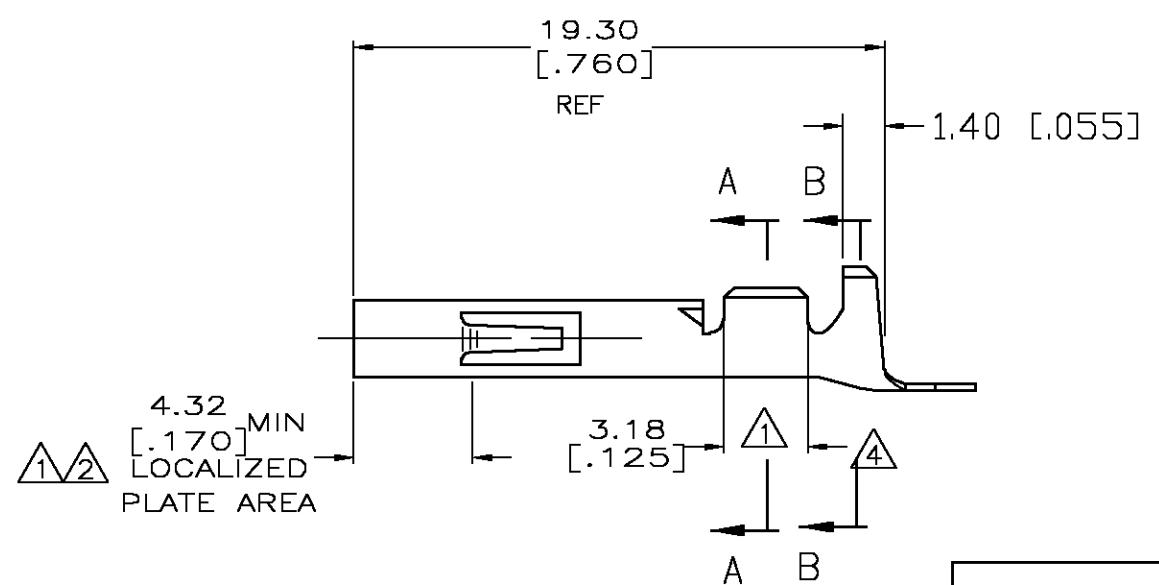
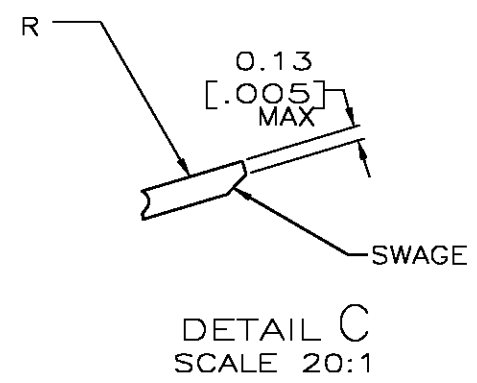


THIS DRAWING IS UNPUBLISHED. RELEASED FOR PUBLICATION  
 © COPYRIGHT BY TYCO ELECTRONICS CORPORATION. ALL RIGHTS RESERVED.

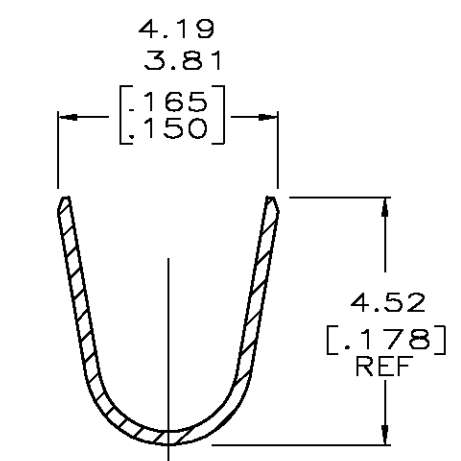
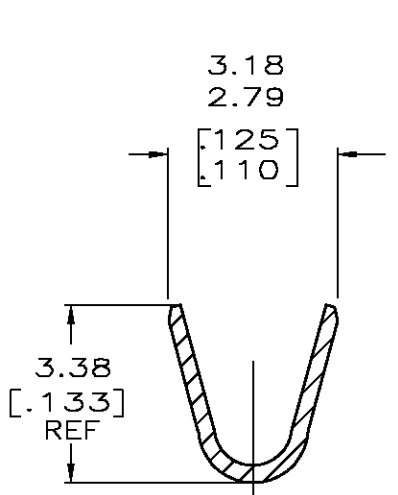
LOC	DIST	REVISIONS					
CM	00	P	LTR	DESCRIPTION	DATE	DWN	APVD
			AC	REVISED PER 0G3B-0816-03	07-NOV-03	KW	SR



- ① 0.00076[.000030] THK GOLD OVER NICKEL ON INSIDE OF RECEPTACLE AND WIRE BARREL; REMAINDER OF CONTACT IS NICKEL PLATED.
- ② 0.00076[.000030] THK GOLD ON INSIDE OF RECEPTACLE; REMAINDER OF CONTACT IS NICKEL PLATED.
- 3. DIMENSIONS IN BRACKETS ARE IN INCHES.
- ④ PRELIMINARY, NOT FOR PRODUCTION.



LOOSE PIECE (REF)	APPLICATOR TYPE	FINISH	MATERIAL	PART NUMBER
-	-	TIN	0.30 [.012] BE CU	1-350536-0
-	STANDARD	TIN	0.30 [.012] PH BZ	350536-9
350550-7	MINI	GOLD ②	0.30 [.012] BRASS	350536-7
350550-6	MINI	GOLD ②	0.30 [.012] PH BZ	350536-6
350550-3	MINI	TIN	0.30 [.012] PH BZ	350536-3
350550-2	MINI	GOLD ①	0.30 [.012] BRASS	350536-2
350550-1	MINI	TIN	0.30 [.012] BRASS	350536-1



THIS DRAWING IS A CONTROLLED DOCUMENT.

DWN K. WHITAKER 07NOV2003	 Tyco Electronics Corporation Harrisburg, PA 17105-3608	NAME	
CHK S. RIDGILL 07-NOV-03		SOCKET, UNIVERSAL MATE-N-LOK™	
APVD S. RIDGILL 07-NOV-03	PRODUCT SPEC	SIZE	CAGE CODE
APPLICATION SPEC	---	A3	00779
WEIGHT	---	DRAWING NO	C=350536
MATERIAL	---	RESTRICTED TO	---
FINISH	---	CUSTOMER DRAWING	SCALE 1:5
			SHEET 1 OF 1
			REV AC